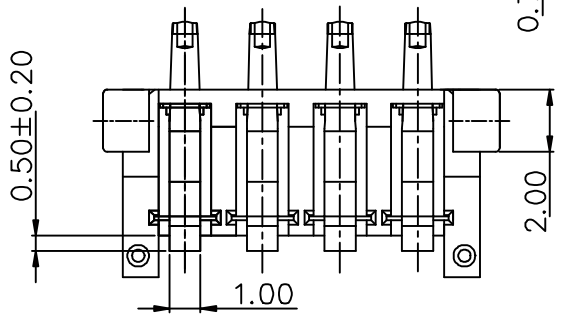
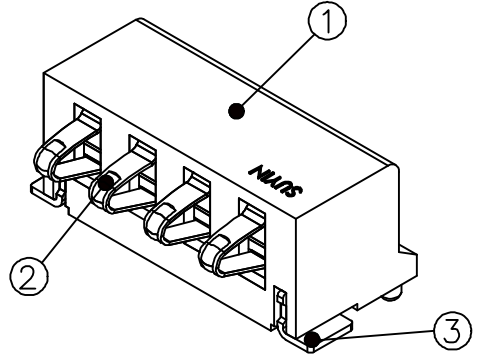
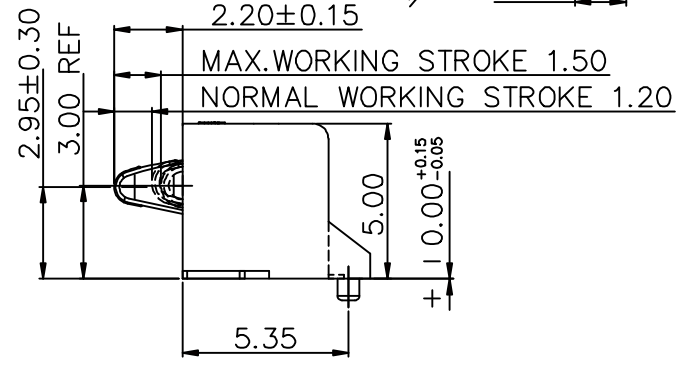
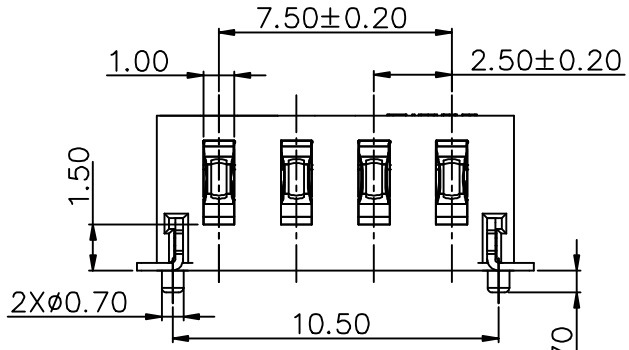
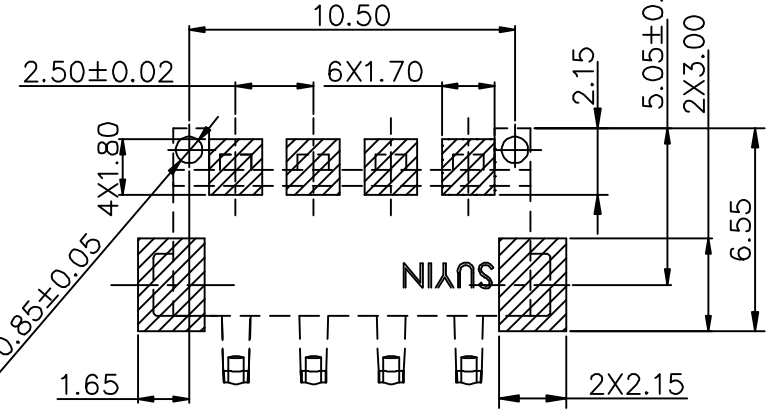
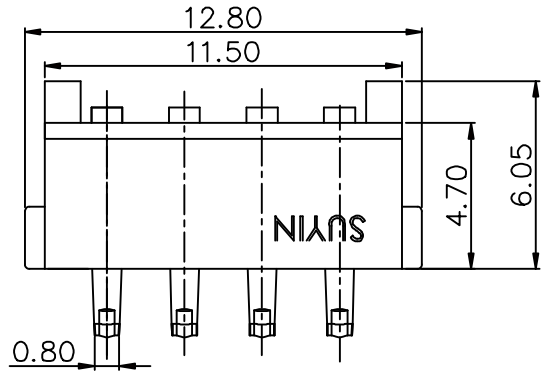


Level-1 Controlled Substances are banned

RECOMMENDED P.C.B LAYOUT (COMPONENT SIDE)  
P.C.B THICKNESS=0.90mm(TOLERANCE=±0.05)



NOTE1:  
250037MB004 □□20ZL

1.SELECTIVE PLATING  
G1-05u" GOLD OVER NICKEL. L1-80u" TIN OVER NICKEL.  
G2- GOLD FLASH OVER NICKEL. L2-100u" TIN OVER NICKEL.  
G3-10u" GOLD OVER NICKEL. L3-120u" TIN OVER NICKEL.  
G4-15u" GOLD OVER NICKEL. L4-150u" TIN OVER NICKEL.  
G5-30u" GOLD OVER NICKEL. L5-200u" TIN OVER NICKEL.  
G6-50u" GOLD OVER NICKEL.

2.FORCE  
F=100g MIN.~250g MAX. PER PIN  
STROKE=1.50mm

NOTE2:  
FOR CUSTOMER: HTC ONLY

NO.	DESCRIPTION	MATERIAL	COLOR	REMARK
3	FORK	COPPER ALLOY		TIN PLATED OVER NICKEL
2	TERMINAL	COPPER ALLOY		GOLD PLATED OVER NICKEL
1	HOUSING	HIGH TEMP.PLASTIC	BLACK	UL94V-0



CUSTOMER COPY TITLE: 2.50mm PITCH SPRING BATTERY SMD TYPE

PART NO.	250037MB004XX20ZL
PRODUCT SPEC.	250037MBXXXXX20ZL
FILE NAME.	250037MB004XX20ZL-C
SCALE	4:1
UNIT:	mm
SHEET:	1 of 2

ECN(DCN) NO.	REV	DATE	DESCRIPTION	CHANGE	APPRO.	GENERAL TOLERANCE UNLESS OTHERWISE NOTED	APPRO.
						Angle ±2° 30 ~ ±0.50	DRAW 肖則鵬 08'/04/24
	0		NEW RELEASE	肖則鵬 蔡志鴻		10 ~ 30 ±0.30	DESIGN 肖則鵬 08'/04/24
	PO	07'/12/06	NEW	羅文平 蔡志鴻		~ 10 ±0.15	CHECK 蔣武向 08'/04/24
							APPRO. 蔡志鴻 08'/04/24